



ABN 43 008 701 335

# SECTION 1

## Cable Ducting

A U S T R A L I A   W I D E   A U S T R A L I A N   M A D E

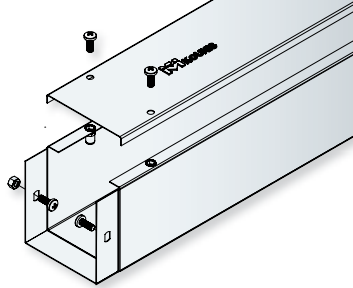


Quality Endorsed Company ISO9001 Lic No 13146

EDITION 2

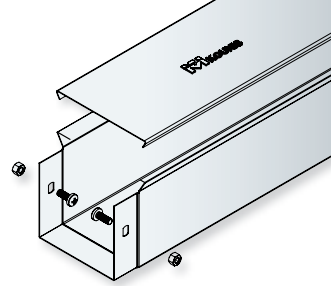
# SECTION 1: Cable Ducting

Screw on Lid Cable Duct



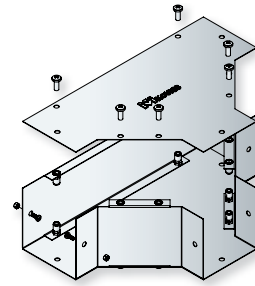
> 1:3

Clip on Lid Cable Duct



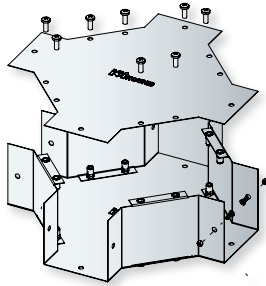
> 1:3

Equal Tee



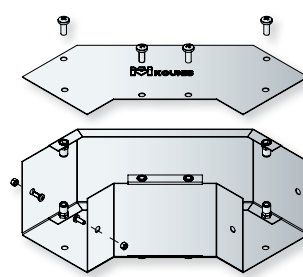
> 1:4

Equal Cross



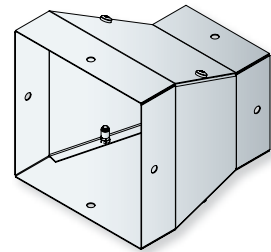
> 1:4

Combination Bend/Riser



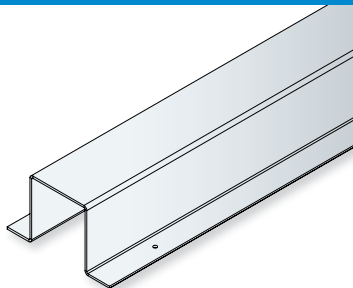
> 1:5

Reducers



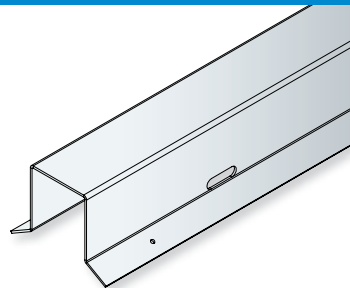
> 1:5

Surface Mounted Cable Covers



> 1:6

Pole Mounted Cable Covers



> 1:6

# Cable Duct Systems

## General Description

The Kounis Group Cable Duct Systems were developed for use in commercial and industrial applications.

This product range offers complete versatility when undertaking cable installations where segregation and mechanical protection is required

The finished product is constructed from 0.75 mm base material of which there are three finish options **Galvabond**, Mild Steel with post production **Hot Dip Galvanised** surface treatment and 316 Grade **Stainless Steel**. System options are;

**Clip On Lid Ducting System** – Offers a simple and economical means for supporting cables. The lid simply clips on and off for a no tools required access to the cabling

**Screw On Lid Ducting System** – Offers a more robust and secure means for supporting cables, especially in vertical applications. For added security against tampering optional Prolok clutch head screws can be supplied in place of standard Phillips drive fasteners.

All of which include the following features:

- 2.4 m length
- Multiple width & height options
- Self-splicing ends making for cost efficient installation by eliminating the need for additional materials
- A full range of self splicing combination fittings to suit
- Option for shop fitted divider strip to form separate compartments
- Option for cable tie off points evenly spaced across straight lengths
- Option for conduit entry knockouts

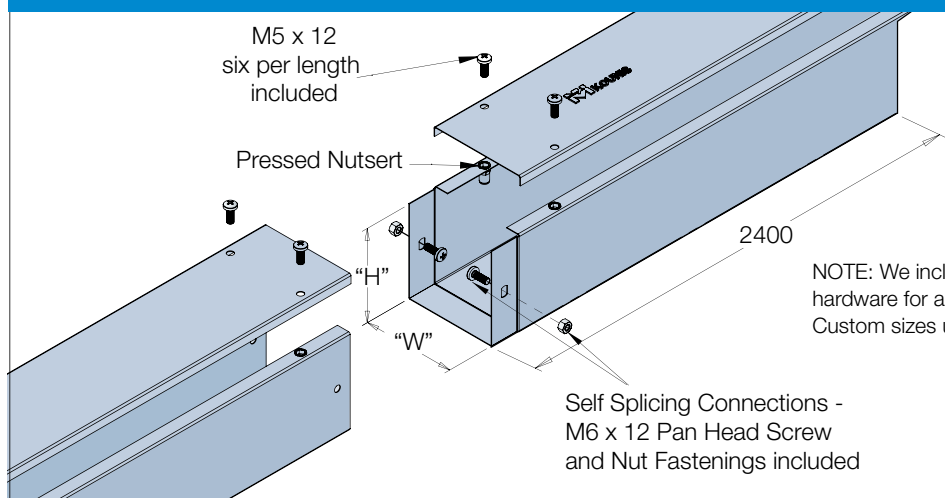
Custom sizes and painted finish is available on request

### Kounis Group Standard Colour Range

Optional Polyester Powder Coat finishes can be provided from our standard stock colours. Our range is White, Black, Orange and Grey Hammertone. Other colours or epoxy powder coat finish can be provided to firm orders.

# Cable Duct

### Screw on Lid Cable Duct



M5 x 12 six per length included

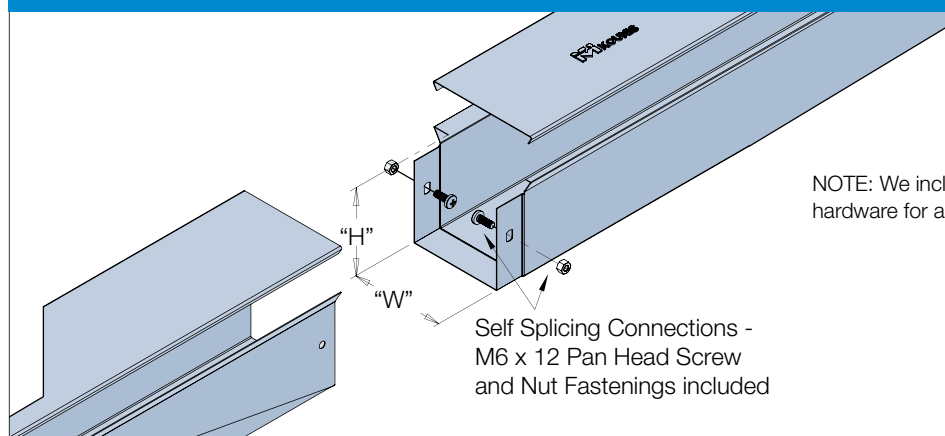
Pressed Nutsert

2400

NOTE: We include supply of all required hardware for assembly and connection. Custom sizes upon request.

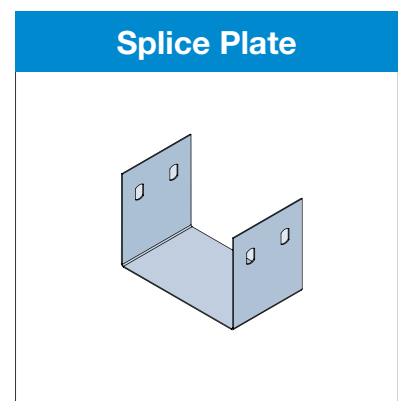
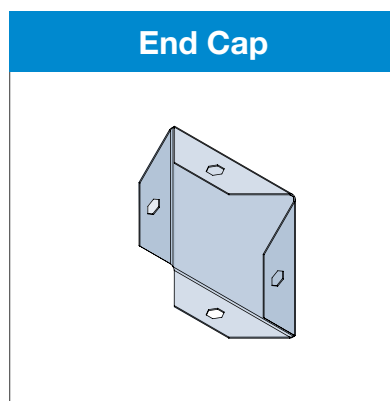
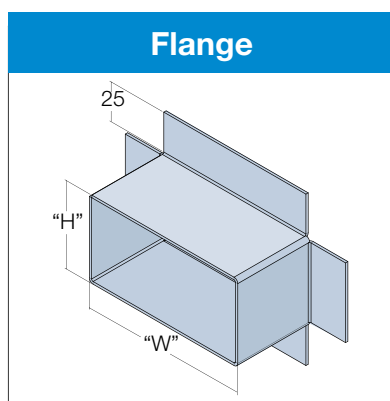
Self Splicing Connections - M6 x 12 Pan Head Screw and Nut Fastenings included

### Clip on Lid Cable Duct



NOTE: We include supply of all required hardware for assembly and connection.

Self Splicing Connections - M6 x 12 Pan Head Screw and Nut Fastenings included

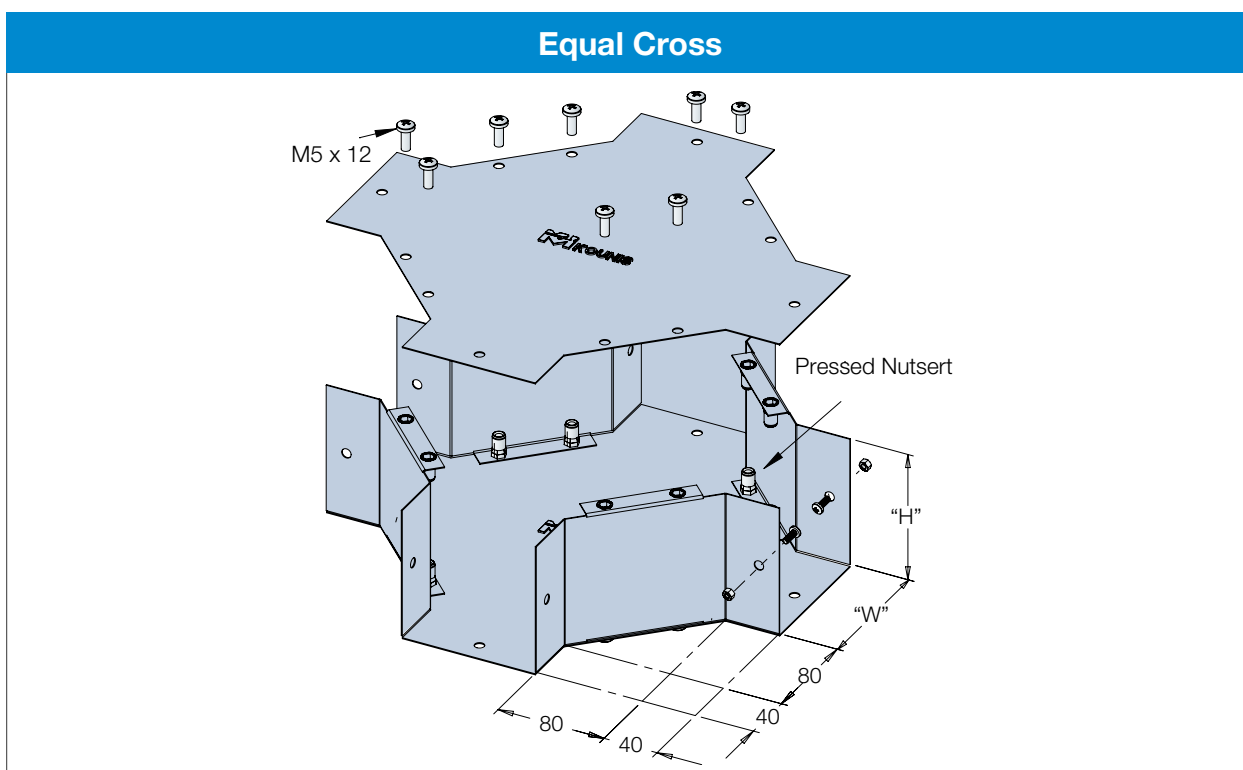
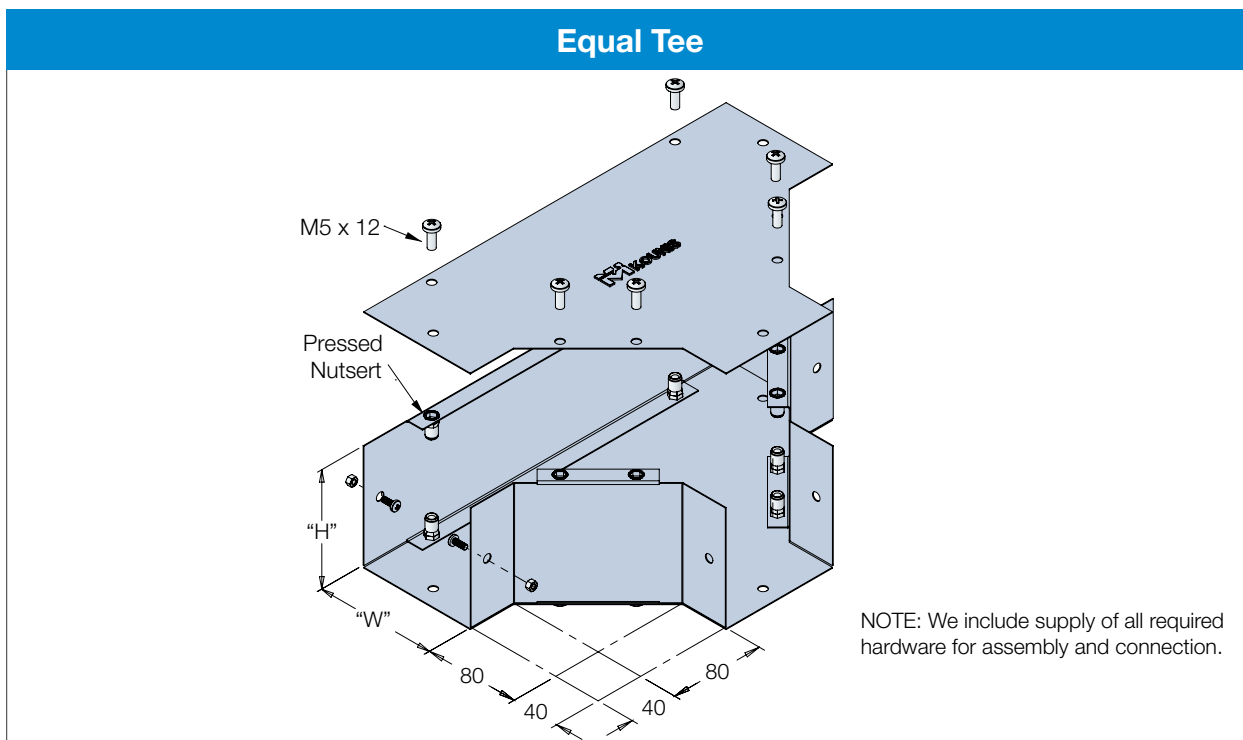


## When Ordering

Range	Type	Size	Std.Finish	Fastenings	Finish
<b>KD</b>	<b>S</b>	<b>55</b>	<b>G</b>	<b>K</b>	<b>PC-COL</b>
KD = Duct & Lid	S = Screw On Lid C = Clip On lid P = Splice Plate E = End Cap F = Flange D = Divider only (see note) DWLD = Divider fitted	55 = 50 x 50 mm 77 = 75 x 75 mm 105 = 100 x 50 mm 1010 = 100 x 100 mm 1510 = 150 x 100 mm 1515 = 150 x 150 mm	G = Galvabond H = Hot Dip Galvanised S = 316 Stainless Steel	K = Includes all Bolts and Nuts	PC-COL = Paint Painted Finish to Kounis standard colour range
ORDERING EXAMPLE SHOWN: Cable Duct & Lid with Screw on lid 50 x 50 mm Galvabond c/w Bolts and Nuts. Painted Finish to specification colour				NOTE: Dividers to show height size only i.e. 50 for 50 x 50 duct	

E.&O.E.

# Cable Duct Fittings



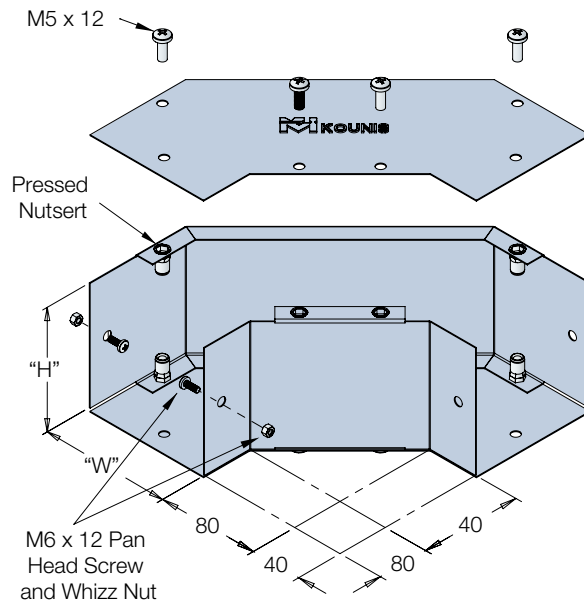
## When Ordering

Range	Type	Size	Std.Finish	Fastenings	Finish
<b>KD</b> KD = Duct & Lid	<b>TS</b> TS = Tee Equal XS = Cross Equal  Screw on lids	<b>55</b> 55 = 50 x 50 mm 77 = 75 x 75 mm 105 = 100 x 50 mm 1010 = 100 x 100 mm 1510 = 150 x 100 mm 1515 = 150 x 150 mm	<b>G</b> G = Galvabond H = Hot Dip Galvanised S = 316 Stainless Steel	<b>K</b> K = Includes all Bolts and Nuts	<b>PC-COL</b> PC-COL = Paint Painted Finish to Kounis standard colour range
ORDERING EXAMPLE SHOWN: Cable Duct Equal Tee with Screw on lid 50 x 50 mm Galvabond c/w Bolts and Nuts. Painted Finish to specification colour				NOTE: Unequal Tees and crosses made to firm order.	

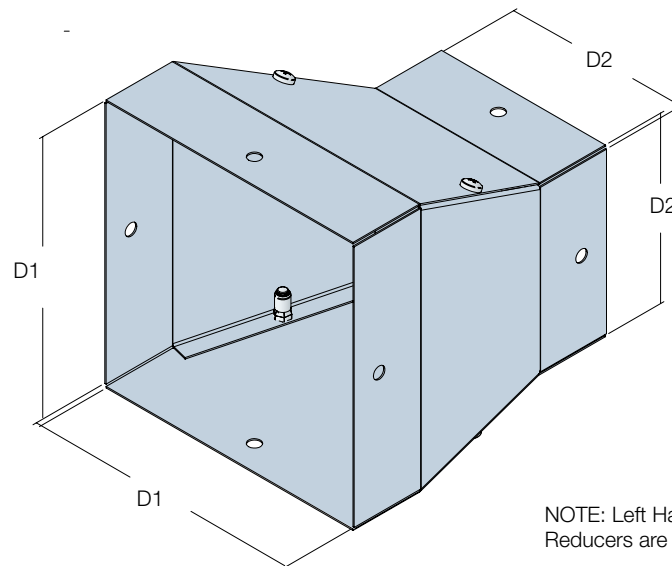
E.&O.E.

# Cable Duct Fittings

## Combination Bend/Riser



## Straight Reducer



NOTE: Left Hand and Right Hand Offset Reducers are also available to order.

### When Ordering

Range	Type	Size	Std.Finish	Fastenings	Finish
<b>KD</b>	<b>BS</b>	<b>55</b>	<b>G</b>	<b>K</b>	<b>PC-COL</b>
KD = Ducts and Lid	BS = Bend 90° RS = Riser 90° SRS = Straight Reducer (D1 to D2) Screw on lids (see note)	55 = 50 x 50 mm 77 = 75 x 75 mm 105 = 100 x 50 mm 1010 = 100 x 100 mm 1510 = 150 x 100 mm 1515 = 150 x 150 mm	G = Galvabond H = Hot Dip Galvanised S = 316 Stainless Steel	K = Includes all Bolts and Nuts	PC-COL = Paint Painted Finish to Kounis standard colour range

ORDERING EXAMPLE SHOWN: Cable Duct Bend 90° with Screw on lid 50 x 50mm Galvabond c/w Bolts and Nuts. Painted Finish to specification colour. NOTE: Bends can also be used as risers for square duct only.

NOTE: 45° bend/riser option shown after size (eg: 5545 code) for alternative.

E.&O.E.

# Surface & Pole Mounted Cable Covers

## General Description

The Kounis Group Cable Covers are developed for use in commercial and industrial applications that require mechanical protection over conduit or cable runs.

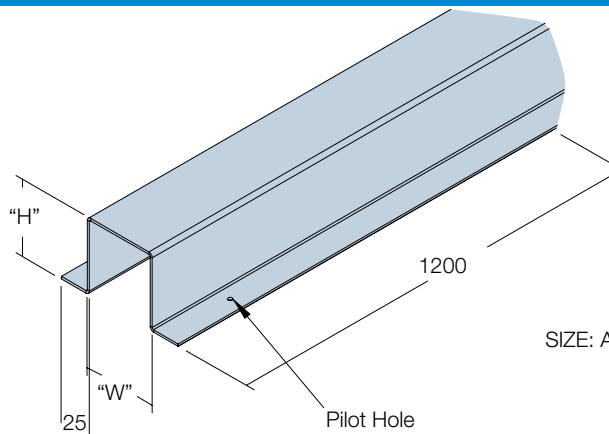
The finished product is constructed from 1.6 mm Mild Steel with post production **Hot Dip Galvanised** surface treatment or 1 mm 316 Grade **Stainless Steel**.

Stock standard sizes are designed to fit over common size Electrical and Communications conduit systems.

Pole and Surface Mounted Covers come complete with pilot holes for fixing; Pole covers come with the addition of slotted holes positioned at the return fold for strap fixing.

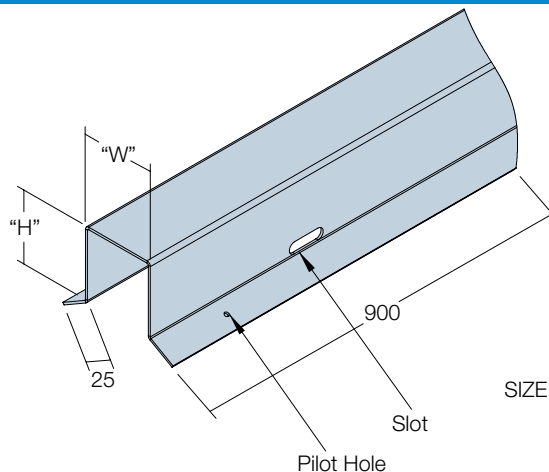
Custom sizes and painted finish is available on request.

### Surface Mounted Cable Covers



SIZE: All dimensions are millimetres and inside sizes.

### Pole Mounted Cable Covers



SIZE: All dimensions are millimetres and inside sizes.

## When Ordering

Range	Size	Std.Finish	Finish
<b>KSM</b>	<b>25</b>	<b>H</b>	<b>PC-COL</b>
KSM = Surface Mounted Cover	25 = 25 x 25 mm 32 = 32 x 32 mm 38 = 38 x 38 mm	H = Hot Dip Galvanised S = 316 Stainless Steel G = Galvabond	PC-COL = Paint Painted finish to Kounis standard colour range
KPM = Pole Mounted Cover	50 = 50 x 50 mm 75 = 75 x 75 mm 100 = 100 x 100 mm		
ORDERING EXAMPLE SHOWN: Surface Mounted Cover 25 x 25 mm Hot Dip Galvanised. Painted Finish to specification colour.			

E.&O.E.