



ABN 43 008 701 335

SECTION 5

Structural Cable Ladder Systems

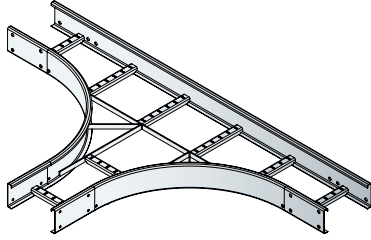
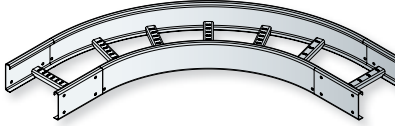
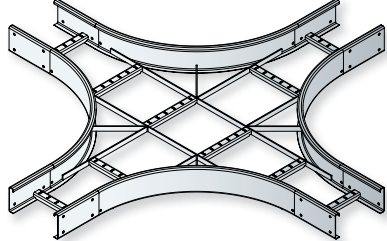
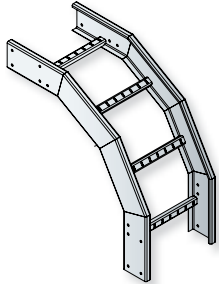
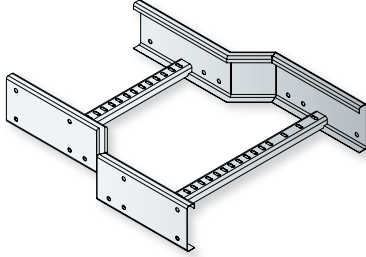
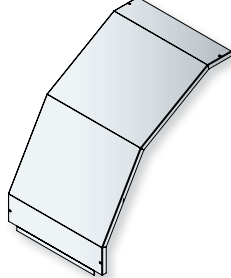
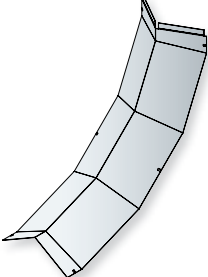
A U S T R A L I A W I D E A U S T R A L I A N M A D E



Quality Endorsed Company ISO9001 Lic No 13146

EDITION 2

SECTION 5: Structural Cable Ladder Systems

Tee	Bend	Cross
		
> 5:3	> 5:3	> 5:4
Risers	Reducers	Riser Flat Covers
		
> 5:4	> 5:5	> 5:6
Riser Peak Covers		
		
> 5:7		

STRUCTURAL CABLE
LADDER SYSTEMS

Structural Cable Ladder Systems

General Description

The Kounis Metal Industries Structural Cable Ladder Fittings and Covers were developed for use in heavy commercial, industrial and mining applications. Structural fittings are ideal where standard flat strip fittings are deemed to be too light for heavy applications and not meeting the load or deflection requirements of the installation.

The Structural Fitting range has been designed utilizing the structural capabilities of the straight side rail section and following the same profile to allow the fitting to be more rigid and self-supporting for large radius installation.

The Structural Fitting range is available to suit **Type 4/70L** 1.6 mm 130 mm Side (NEMA 20B), **Type 4/70** 2.0 mm 130 mm Side (NEMA 20B) and **Type 5/112** 146 mm Side (NEMA 20C) all of which offer the following standard features:

- Hot Dipped Galvanised, 316 Grade Stainless Steel and Aluminium Construction
- 8 bolt splice plate connection
- Rail in or rail out option
- Earthing holes at all points of connection
- Channel type rung offering superior strength
- 25 mm rung tie off centres to allow maximum tie off options
- A full range of flat and peak covers for straight lengths and fittings are available. (Structural fitting covers in this section are specific to Internal and external risers)
- Engineer certification to withstand certain cyclonic conditions (only available for Type 4/70 & 5/112, minimum installation requirements apply)

All fitting radius measurements are to the internal side rail, stock standard radius varies depending on cable ladder system type and branch standard. All other listed radius options are made to firm order.

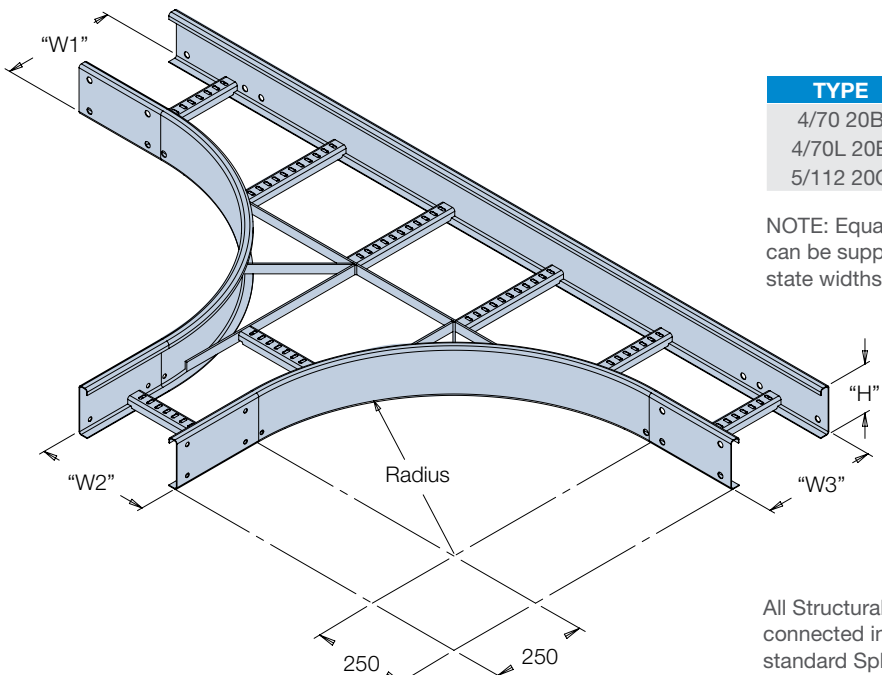
Painted finish available on request.

Kounis Group Standard Colour Range

Optional Polyester Powder Coat finishes can be provided from our standard stock colours. Our range is White, Black, Orange and Grey Hammertone. Other colours or epoxy powder coat finish can be provided to firm orders.

Structural Cable Ladder Fittings

Tee

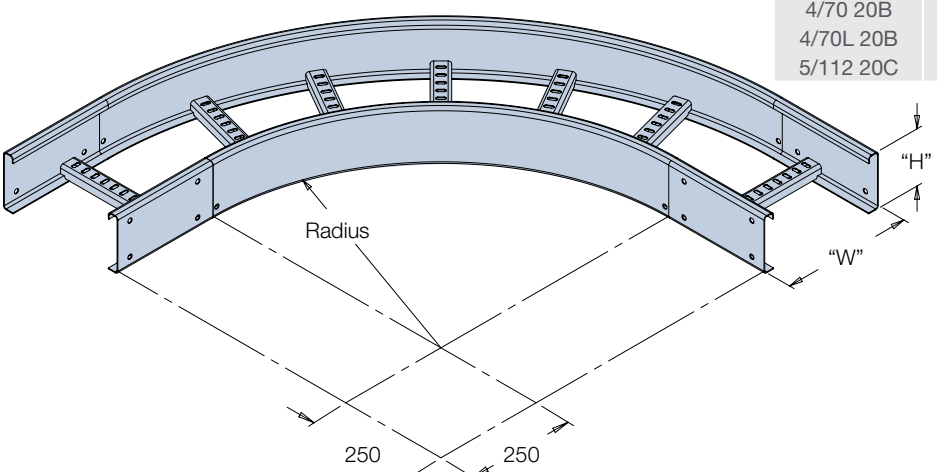


TYPE	HEIGHT
4/70 20B	130 mm
4/70L 20B	130 mm
5/112 20C	146 mm

NOTE: Equal or unequal tees can be supplied. When ordering state widths W1 x W2 x W3

All Structural Fittings are connected into ladder run by standard Splice Plates

Bend



TYPE	HEIGHT
4/70 20B	130 mm
4/70L 20B	130 mm
5/112 20C	146 mm

STRUCTURAL CABLE LADDER FITTINGS
4/70L, 4/70-5/112 Cable Ladder Structural Tee & Bend

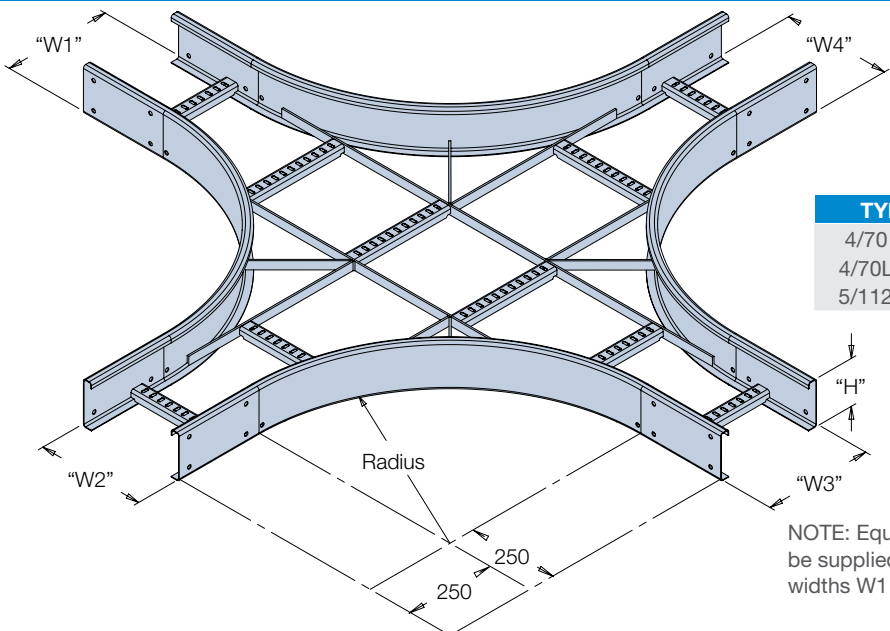
When Ordering

Range	Type	Wide	Material	Fastenings	Rail Direction	Radius	Finish
4D 4D = 4/70 130 mm High 2.0 mm thk. 5D = 5/112 146 mm High 2.0 mm thk. 4D = 4/70L 130 mm High 1.6 mm thk	B T = Tee Equal B = Bend 90° 4/70 & 5/112 TL = Tee Equal BL = Bend 90° 4/70L and Stainless (See Ordering Note)	15 15 = 150 mm 30 = 300 mm 45 = 450 mm 60 = 600 mm 75 = 750 mm 90 = 900 mm	H H = Mild Steel Hot Dip Galv S = 316 Stainless Steel A = Aluminium	K K = includes all required Splice Plates, Bolts and nuts	RO or RI RI = Rail In RO = Rail Out (See Rail In Note)	6 3 = 300 mm 6 = 600 mm 9 = 900 mm 600 mm Std. radius	PC-COL PC-COL = paint Painted finish to Kounis standard colour range
<p>NOTE: Rail In Ladder (RI) is a Kounis standard and will not show in a supply code. All Rail Out ladder will have a RO suffix shown in all supply codes.</p> <p>ORDERING EXAMPLE SHOWN: 4/70 Structural Cable Ladder 90° Bend 150 mm wide HDG 600 mm Radius c/w Splice Plates Bolts and Nuts. Painted Finish to specification colour. Note: 45, 30 & 60° option shown after size (eg:1545) code for alternative 150 mm 45° Bend.</p>							

E.&O.E.

Structural Cable Ladder Fittings

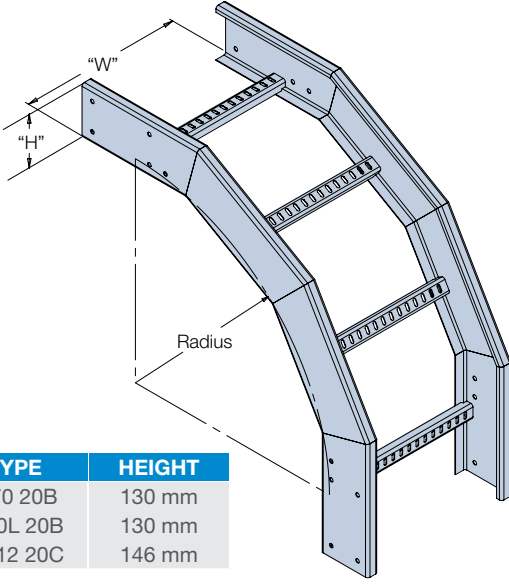
Cross



TYPE	HEIGHT
4/70 20B	130 mm
4/70L 20B	130 mm
5/112 20C	146 mm

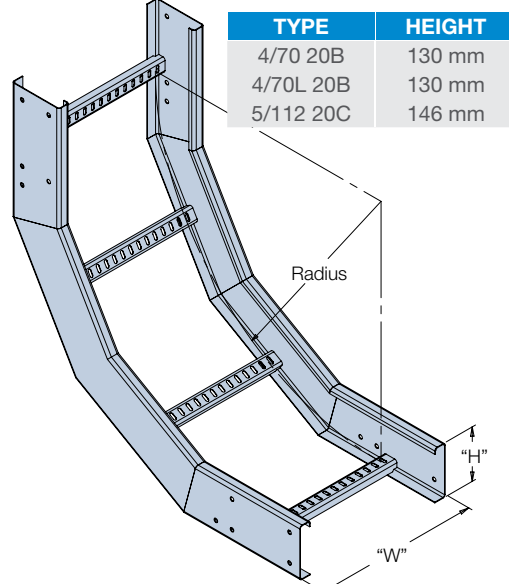
NOTE: Equal or unequal tees can be supplied. When ordering state widths W1 x W2 x W3 x W4

External Riser



TYPE	HEIGHT
4/70 20B	130 mm
4/70L 20B	130 mm
5/112 20C	146 mm

Internal Riser



TYPE	HEIGHT
4/70 20B	130 mm
4/70L 20B	130 mm
5/112 20C	146 mm

All Structural Fittings are connected into ladder run by standard Splice Plates

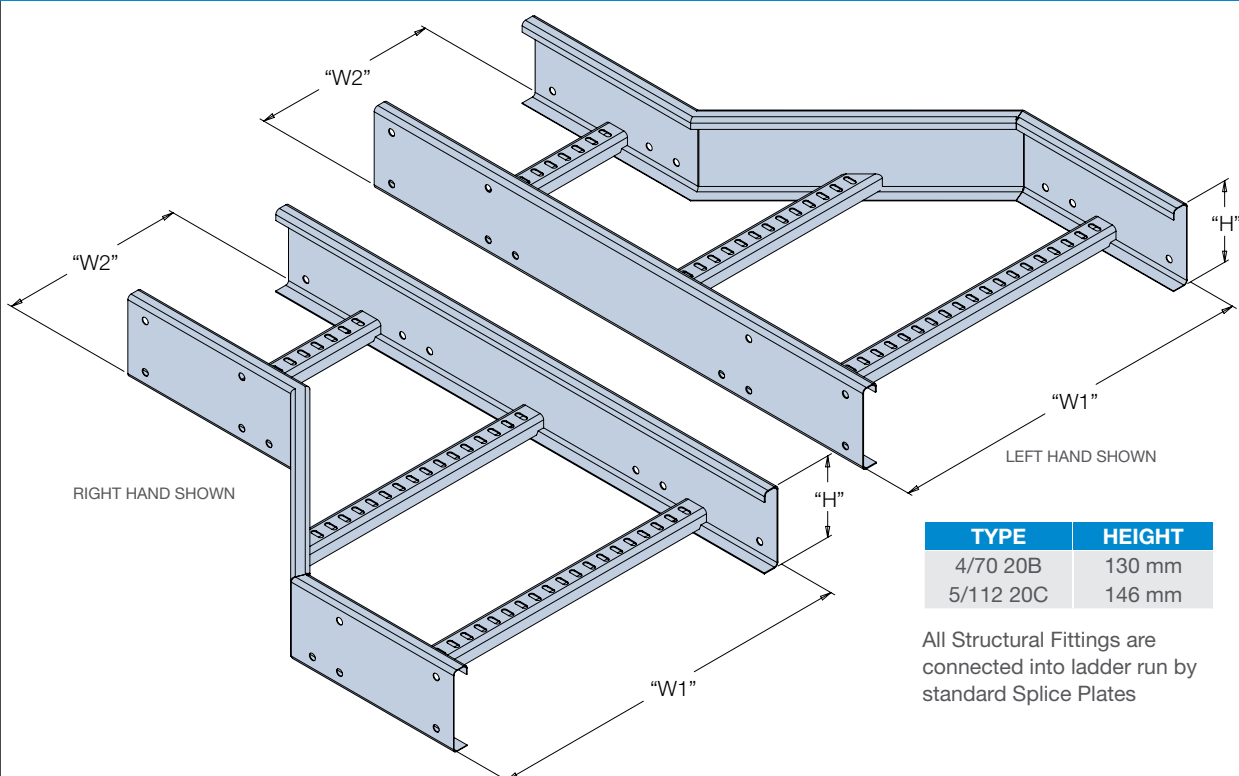
When Ordering

Range	Type	Wide	Material	Fastenings	Rail Direction	Radius	Finish
4D	RI	15	H	K	RI or RO	6	PC-COL
4D = 4/70 130 mm High 2.0 mm thk.	RI = Internal Riser 90° RX = External Riser 90°	15 = 150 mm 30 = 300 mm 45 = 450 mm 60 = 600 mm 75 = 750 mm 90 = 900 mm	H = Mild Steel Hot Dip Galv S = 316 Stainless Steel A = Aluminium	K = includes all required Splice Plates, Bolts and nuts	RI = Rail In RO = Rail Out (See Rail In note)	3 = 300 mm 6 = 600 mm 9 = 900 mm 600 mm Std. radius	PC-COL = paint Painted finish to Kounis standard colour range
5D = 5/112 146 mm High 2.0 mm thk.	C = Cross 4/70 & 5/112						
4D = 4/70L 130 mm High 1.6 mm thk	RIL = Internal Riser 90° RXL = External Riser 90° CL = Cross 4/70L and Stainless (See Ordering Note)						
NOTE: Rail In Ladder (RI) is a Kounis standard and will not show in a supply code. All Rail Out ladder will have a RO suffix shown in all supply codes.		ORDERING EXAMPLE SHOWN: 4/70 Structural Cable Ladder 90° Internal Riser 150 mm wide HDG Rail Out 600 mm Radius c/w Splice Plates Bolts and Nuts. Painted Finish to specification colour. Note: 45,30 & 60° option shown after size (eg: 1545) code alternative 150 mm 45° Riser.					

E.&O.E.

Structural Cable Ladder Fittings

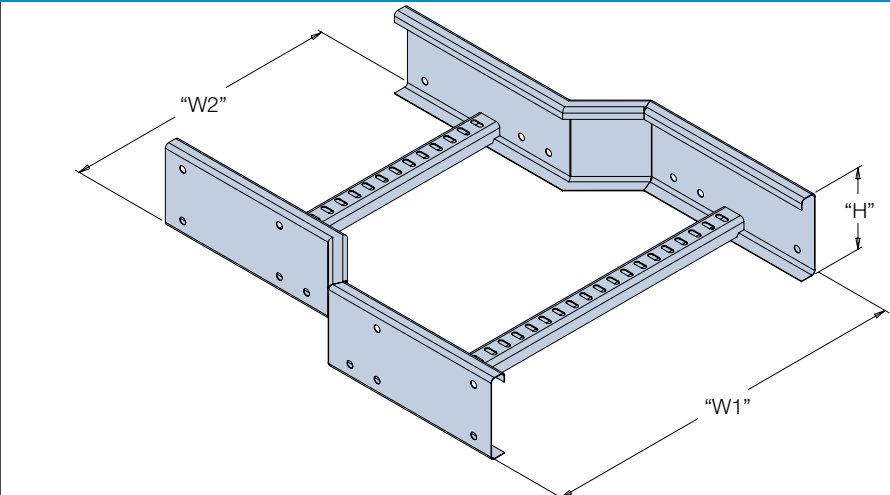
Offset Reducer



TYPE	HEIGHT
4/70 20B	130 mm
5/112 20C	146 mm

All Structural Fittings are connected into ladder run by standard Splice Plates

Straight Reducer



TYPE	HEIGHT
4/70 20B	130 mm
4/70L 20B	130 mm
5/112 20C	146 mm

All Structural Fittings are connected into ladder run by standard Splice Plates

STRUCTURAL CABLE LADDER FITTINGS

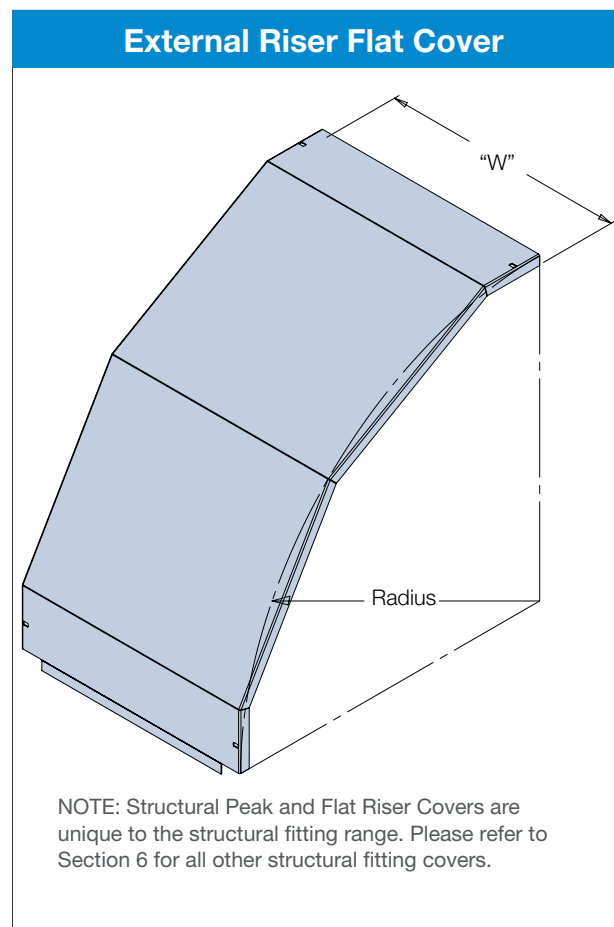
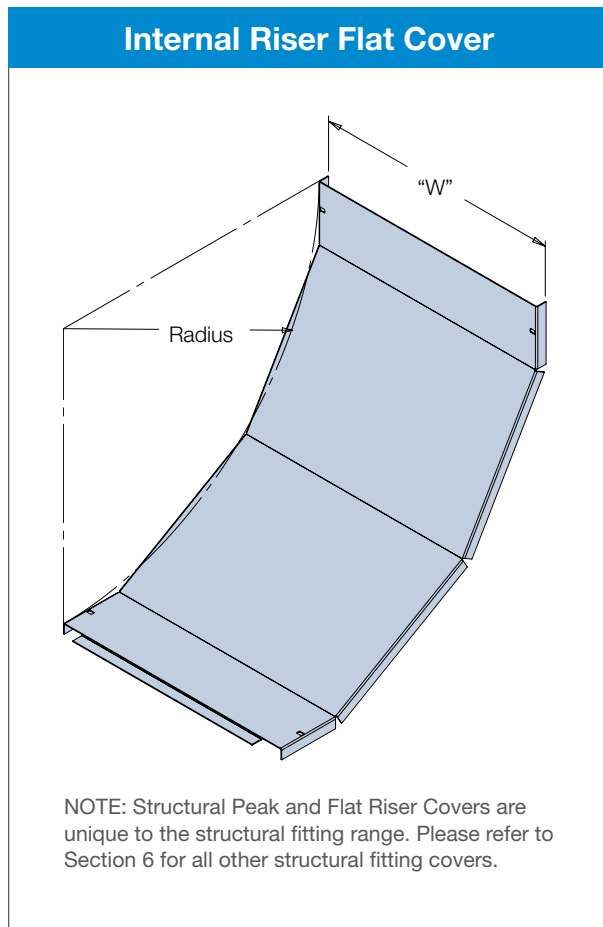
4/70L, 4/70-5/112 Ladder Structural Offset Reducer & Straight Reducer

When Ordering

Range	Type	Wide	Material	Fastenings	Rail Direction	Radius	Finish
4D	SR	3015	H	K	RI or RO	6	PC-COL
4D = 4/70 130 mm High 2.0 mm thk.	SR = Straight Reducer RR = Right Reducer LR = Left Reducer	15 = 150 mm 30 = 300 mm 45 = 450 mm 60 = 600 mm 75 = 750 mm 90 = 900 mm	H = Mild Steel Hot Dip Galv S = 316 Stainless Steel A = Aluminium	K = includes all required Splice Plates, Bolts and nuts	RI = Rail In RO = Rail Out (See Rail In note)	3 = 300 mm 6 = 600 mm 9 = 900 mm 600 mm Std. radius	PC-COL = paint Painted finish to Kounis standard colour range
5D = 5/112 146 mm High 2.0 mm thk.	4/70 & 5/112						
4D = 4/70L 130 mm High 1.6 mm thk	SRL = Straight Reducer RRL = Right Reducer LRL = Left Reducer 4/70L and Stainless (See Ordering Note)						
NOTE: Rail In Ladder (RI) is a Kounis standard and will not show in a supply code. All Rail Out ladder will have a RO suffix shown in all supply codes.		ORDERING EXAMPLE SHOWN: 4/70 Structural Cable Ladder Straight Reducer 300 to 150 mm wide HDG c/w Splice Plates Bolts and Nuts. Painted Finish to specification colour.					

E.&O.E.

Structural Cable Ladder Flat Fitting Covers



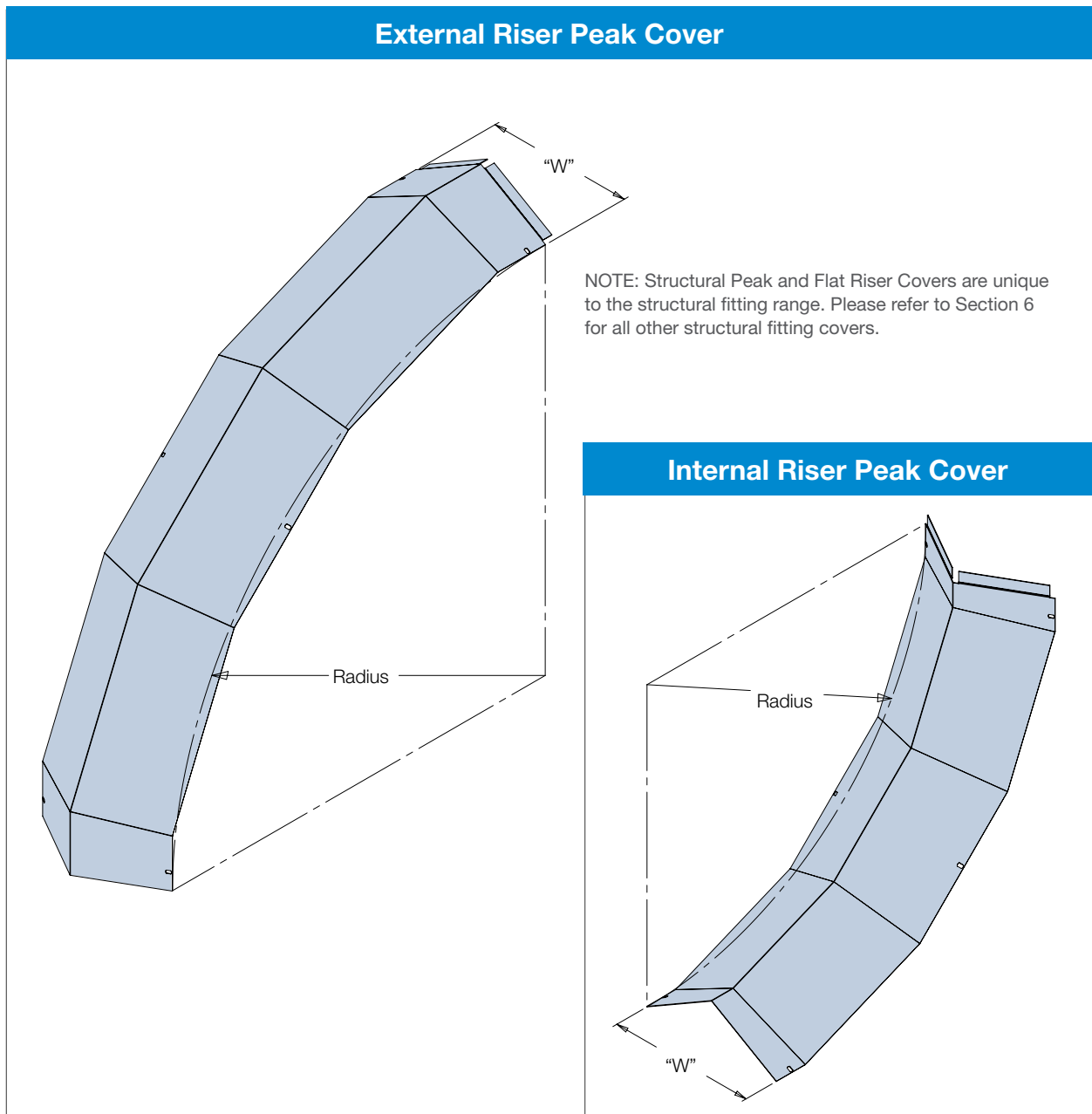
Covers can also be supplied in Stainless Steel or Aluminium to order.

When Ordering

Range	Type	Fitting	Wide	Thickness	Std. Finish	Fastenings	Side Rail	Radius	Finish
4D	FC	RX	15	H	H	K	RI or RO	6	PC-COL
4D = 4/70 130 mm High 2.0 mm thk Structural 5D = 5/112 146 mm High 2.0 mm thk Structural	FC = Flat Cover	RI = Internal RX = External Riser 90° (see ordering note)	15 = 150 mm 30 = 300 mm 45 = 450 mm 60 = 600 mm 75 = 750 mm 90 = 900 mm	L = 0.6 mm thk. M = 1.2 mm thk. H = 1.6 mm thk.	G = Galvabond H = Hot Dip Galv S= 316 Stainless Steel A = Aluminium P = Painted	K = includes all required attachment hooks	RI = Rail In RO = Rail Out	3 = 300 mm 6 = 600 mm 9 = 900 mm 600 mm Std. radius	Painted finish to Kounis standard colour range
NOTE: Rail In Ladder (RI) is a Kounis standard and will not show in a supply code. All Rail Out ladder will have a RO suffix shown in all supply codes.				ORDERING EXAMPLE SHOWN: 4/70 Structural Cable Ladder 90° External Riser Flat Cover 150 mm wide HDG 600 radius c/w attachment hooks. Painted Finish to specification colour. Note: 45,30 & 60° option shown after size (eg: 1545) code alternative 150 mm 45° Riser.					

E.&O.E.

Structural Cable Ladder Peak Fitting Covers



Covers can also be supplied in Stainless Steel or Aluminium to order.

When Ordering

Range	Type	Fitting	Wide	Thickness	Std. Finish	Fastenings	Side Rail	Radius	Finish
4D	PC	RX	15	H	H	K	RI or RO	6	PC-COL
4D = 4/70 130 mm High 2.0 mm thk Structural	PC = Peak Cover	RI = Internal RX = External Riser 90° (see ordering note)	15 = 150 mm 30 = 300 mm 45 = 450 mm 60 = 600 mm 75 = 750 mm 90 = 900 mm	L = 0.6 mm thk. M = 1.2 mm thk. H = 1.6 mm thk.	G = Galvabond H = Hot Dip Galv S= 316 Stainless Steel A = Aluminium P = Painted	K = includes all required Attachment Hooks	RI = Rail In RO = Rail Out	3 = 300 mm 6 = 600 mm 9 = 900 mm 600 mm Std. radius	Painted finish to Kounis standard colour range
5D = 5/112 146 mm High 2.0 mm thk Structural									
NOTE: Rail In Ladder (RI) is a Kounis standard and will not show in a supply code. All Rail Out ladder will have a RO suffix shown in all supply codes.					ORDERING EXAMPLE SHOWN: 4/70 Structural Cable Ladder 90° External Riser Peak Cover 150 mm wide HDG 600 radius c/w attachment hooks. Painted Finish to specification colour. Note: 45,30 & 60° option shown after size (eg: 1545) code alternative 150 mm 45° Riser.				

STRUCTURAL CABLE LADDER SYSTEMS
Structural Fitting Peak Cover

Notes