



ABN 43 008 701 335

# SECTION 6

## Cable Ladder Covers

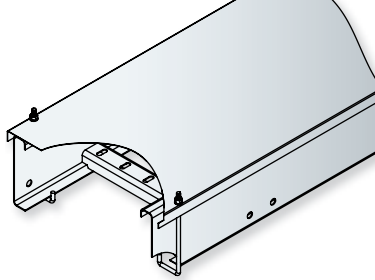
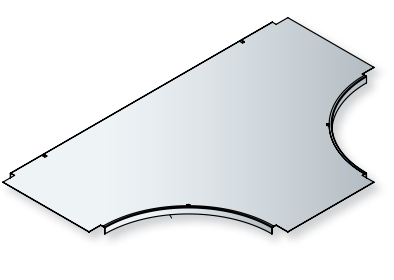
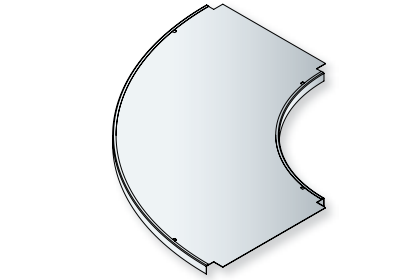
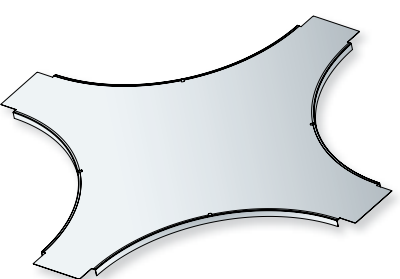
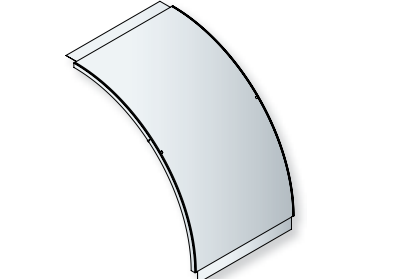
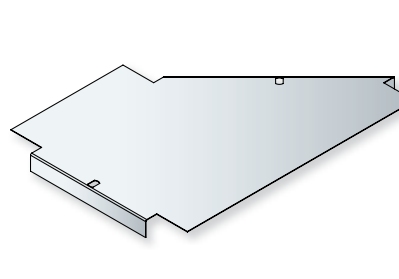
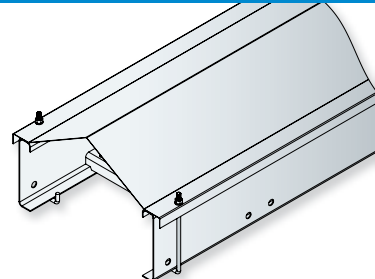
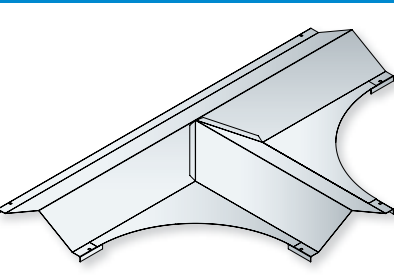
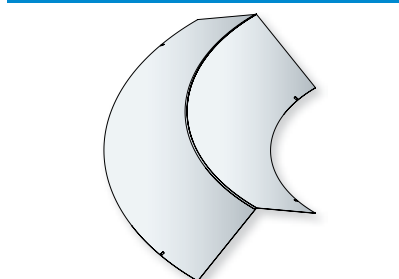
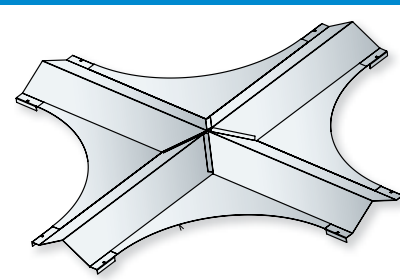
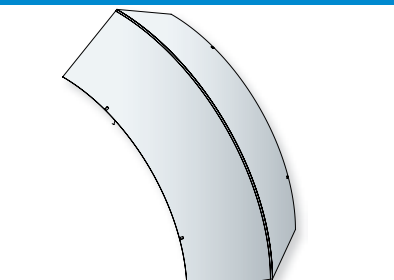
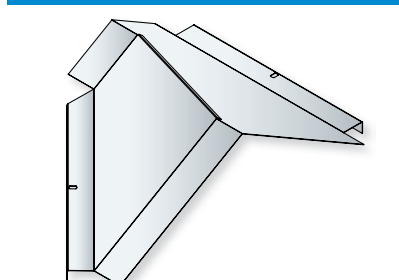
A U S T R A L I A   W I D E   A U S T R A L I A N   M A D E



Quality Endorsed Company ISO9001 Lic No 13146

EDITION 2

## SECTION 6: Cable Ladder Covers

Flat Cover	Tee Flat Cover	Bend Flat Cover
		
> 6:3	> 6:4	> 6:4
Cross Flat Cover	Risers Flat Cover	Reducers Flat Cover
		
> 6:4	> 6:5	> 6:5
Peak Cover	Tee Peak Cover	Bend Peak Cover
		
> 6:6	> 6:7	> 6:7
Cross Peak Cover	Risers Peak Cover	Reducers Peak Cover
		
> 6:7	> 6:8	> 6:8

# Cable Ladder Flat & Peak Covers

## General Description

The Kounis Group Cable Ladder Cover range was developed to suit all installations that require physical and ultraviolet protection from the surrounding environment.

The finished product is constructed from a variety of material thicknesses ranging from; **Light Duty** 0.6 mm, **Medium Duty** 1.2 mm and **Heavy Duty** 1.6 mm and finishes to suit any application or environment; **Galvabond**, Mild Steel **Hot Dip Galvanised**, 316 Grade **Stainless Steel** and **Aluminium**. All of which offer the following standard features and options:

- 3 m length
- Option of hook bolt or snug fit metal tek screw attachment
- Option of Flat or 30° peak
- Also available in 15° and 45° peak made to order
- Option of ventilation louvers
- A full range of fitting covers flat or peaked
- Engineer certification to withstand cyclonic area importance level 2 wind terrain category 1 conditions (Covers are recommended to be 1.6 mm thick Hot Dip Galvanised).

Painted finish available on request.

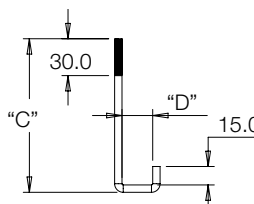
### Kounis Group Standard Colour Range

Optional Polyester Powder Coat finishes can be provided from our standard stock colours. Our range is White, Black, Orange and Grey Hammertone. Other colours or epoxy powder coat finish can be provided to firm orders.

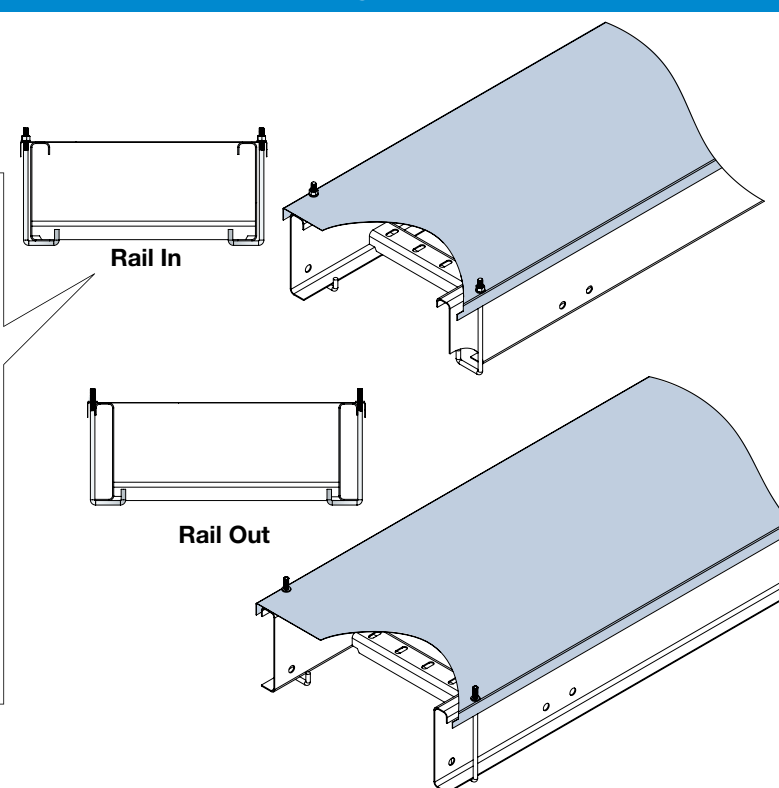
# Cable Ladder Flat Covers

## Flat Cover Hook Bolt Fixing

**Hook Bolt Details**  
Material Stainless Steel C/W  
Nylock Nut and Washer



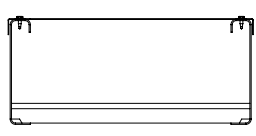
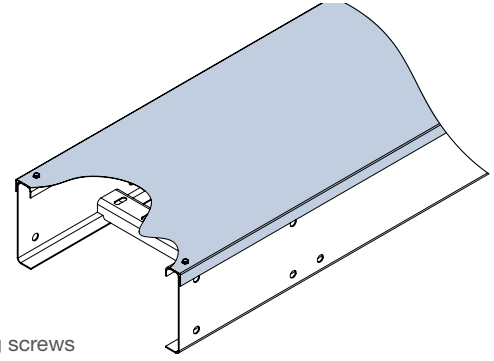
Code	LADDER	DIM "C"	DIM "D"
3CHB	3/50	125	25
4CHB	4/70	155	35
5CHB	5/112	170	35



**Rail In**

**Rail Out**

## Flat Cover Snug Fit Fixing

**Rail In**

Optional snug fit with self tapping screws

Flat cover lengths can be supplied with ventilation louvres to order.

### HDG cover standards

1. WA supplied in 1.6 mm HDG (code HH)
2. Eastern States up to 1.2 mm HDG (code H)

## When Ordering

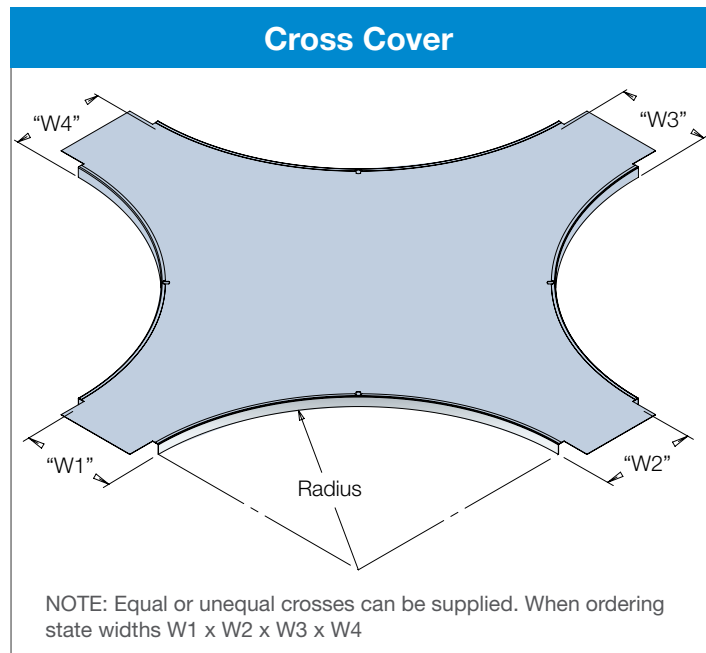
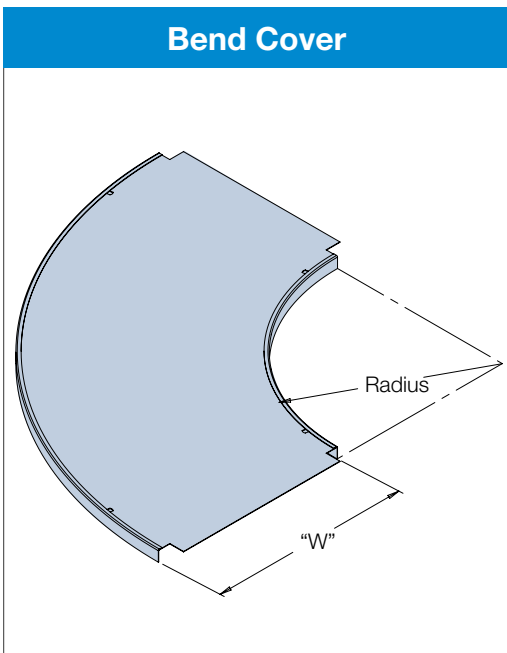
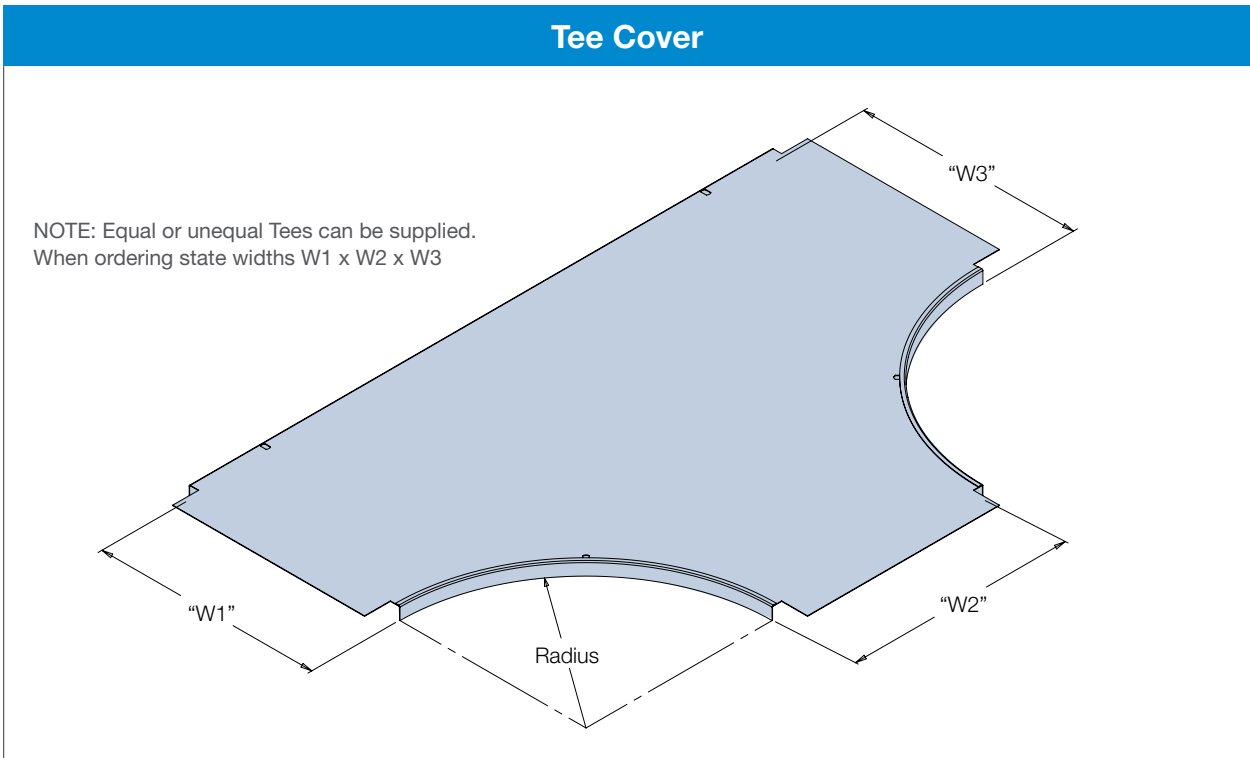
Range	Type	Size	Thickness	Std. Finish	Fastenings	Rail Direction	Fit	Finish
<b>3</b>	<b>FC</b>	<b>15</b>	<b>L</b>	<b>G</b>	<b>K</b>	<b>RI or RO</b>	<b>SF</b>	<b>PC-COL</b>
2 = 2/30	FC = Flat Cover	15 = 150 mm	L = 0.6 mm thk.	G = Galvabond	K = includes all required attachment hooks	RI = Rail In RO = Rail Out	SF = Snug Fit (to order) Note: no hook required	PC-COL = Paint Painted finish to Kounis standard colour range
3 = 3/50	FCV = Flat Cover with louvre vents	30 = 300 mm	M = 1.2 mm thk.	H = Hot Dip Galv				
4 = 4/70		45 = 450 mm	H = 1.6 mm thk.	S = 316 stainless steel				
5 = 5/112		60 = 600 mm 75 = 750 mm 90 = 900 mm		A = Aluminium				

NOTE: Rail In Ladder (RI) is a Kounis standard and will not show in a supply code. All Rail Out ladder will have RO suffix.

ORDERING EXAMPLE: 3/50 Cable Ladder Flat Cover 150 mm wide Light Duty Galvabond c/w attachment hooks. Painted finish to specification colour.

E.&O.E.

# Cable Ladder Flat Cover Fittings



CABLE LADDER COVERS

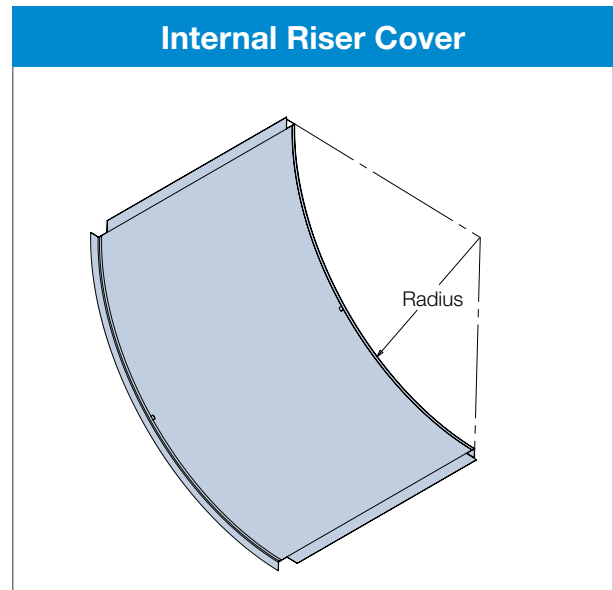
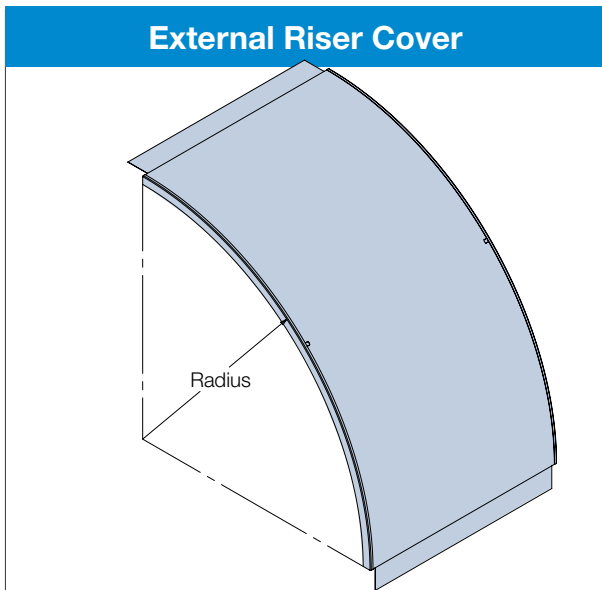
Flat Covers  
Tee, Bend & Cross

## When Ordering

Range	Type	Fitting	Size	Thickness	Std.Finish	Fastenings	Rail Direction	Radius	Fit	Finish
<b>3</b>	<b>FC</b>	<b>T</b>	<b>15</b>	<b>L</b>	<b>G</b>	<b>K</b>	<b>RI or RO</b>	<b>3</b>	<b>SF</b>	<b>PC-COL</b>
2 = 2/30 3 = 3/50 4 = 4/70 5 = 5/112	FC = Flat Cover	T = Tee B = Bend C = Cross	15 = 150 mm 30 = 300 mm 45 = 450 mm 60 = 600 mm 75 = 750 mm 90 = 900 mm	L = 0.6 mm thk. M = 1.2 mm thk. H = 1.5 mm thk	G = Galvabond H = Hot Dip Galv S = 316 Stainless Steel	K = Includes all required attachment hooks	RI = Rail In RO = Rail Out (see note)	3 = 300 mm 4 = 450 mm 6 = 600 mm 9 = 900 mm	SF = Snug Fit (to order) NOTE: No hooks required	PC-COL = Paint Painted finish to Kounis standard colour range
NOTE: Rail In Ladder (RI) is a Kounis standard and will not show in a supply code. All Rail Out ladder will have a RO suffix shown in all supply codes.					ORDERING EXAMPLE SHOWN: 3/50 Cable Ladder Tee Flat Cover 150 mm Wide Light Duty Galvabond 300 mm rad c/w attachment hooks. Painted Finish to specification colour.					

E.&O.E.

# Cable Ladder Flat Cover Fittings

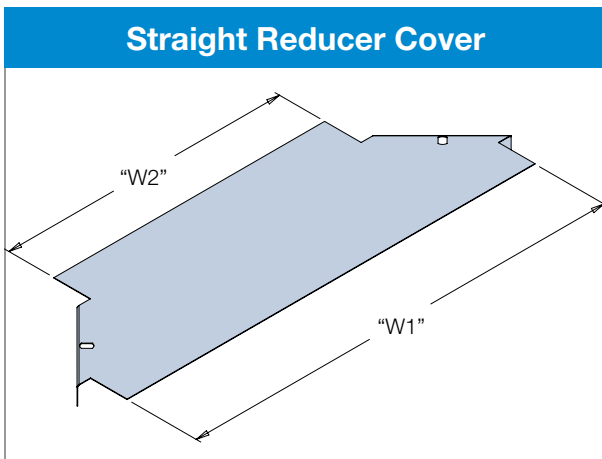


## When Ordering

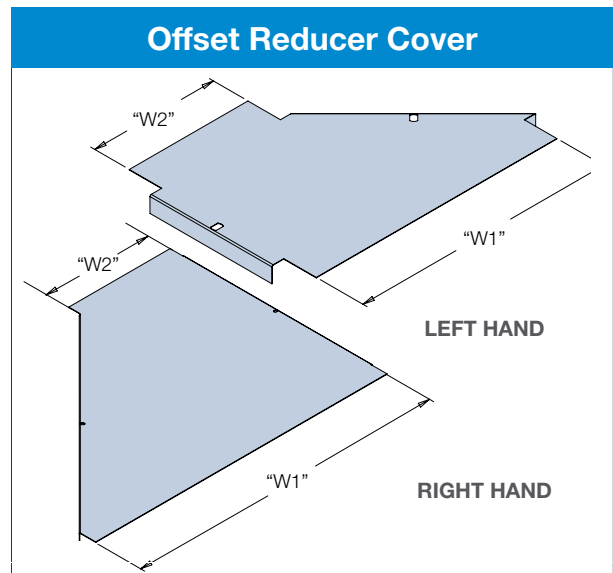
Range	Type	Fitting	Size	Thickness	Std.Finish	Fastenings	Rail Direction	Radius	Fit	Finish
<b>3</b>	<b>FC</b>	<b>RX</b>	<b>15</b>	<b>L</b>	<b>G</b>	<b>K</b>		<b>3</b>	<b>SF</b>	<b>PC-COL</b>
2 = 2/30 3 = 3/50 4 = 4/70 5 = 5/112	FC = Flat Cover	RX = External Riser RI = Internal Riser (see Note 2)	15 = 150 mm 30 = 300 mm 45 = 450 mm 60 = 600 mm 75 = 750 mm 90 = 900 mm	L = 0.6 mm thk. M = 1.2 mm thk. H = 1.6 mm thk.	G = Galvabond H = Hot Dip Galv S = 316 Stainless Steel A = Aluminium	K = Includes all required attachment hooks	RI = Rail In RO = Rail Out (see Note 1)	3 = 300 mm 4 = 450 mm 6 = 600 mm 9 = 900 mm	SF = Snug Fit (to order) <b>NOTE:</b> No hooks required	PC-COL = Paint Painted finish to Kounis standard colour range

NOTE 1: Riser Covers fit both Rail In and Rail Out Ladder systems.  
NOTE 2: Type 4 and 5 RX External Riser Cover are identical except hooks i.e. 4-5 Range.

ORDERING EXAMPLE SHOWN: 3/50 Cable Ladder 90° External Riser Flat Cover 150 mm wide Light Duty Galvabond 300 mm rad c/w attachment hooks. Painted finish to specification colour.



NOTE: When ordering state widths W1 x W2



## When Ordering

Range	Type	Fitting	Size	Thickness	Std.Finish	Fastenings	Rail Direction	Fit	Finish
<b>3</b>	<b>FC</b>	<b>SR</b>	<b>3015</b>	<b>L</b>	<b>G</b>	<b>K</b>		<b>SF</b>	<b>PC-COL</b>
2 = 2/30 3 = 3/50 4 = 4/70 5 = 5/112	FC = Flat Cover	SR = Straight Reducer LR = Left Reducer RR = Right Reducer	15 = 150 mm 30 = 300 mm 45 = 450 mm 60 = 600 mm 75 = 750 mm 90 = 900 mm	L = 0.6 mm M = 1.2 mm H = 1.6 mm	G = Galvabond H = Hot Dip Galv S = 316 Stainless Steel A = Aluminium	K = Includes all required attachment hooks	RI = Rail In RO = Rail Out (see note)	SF = Snug Fit (to order) <b>NOTE:</b> No hooks required	PC-COL = Paint Painted finish to Kounis standard colour range

NOTE: Reducers Covers fit both Rail In and Rail Out Ladder systems.

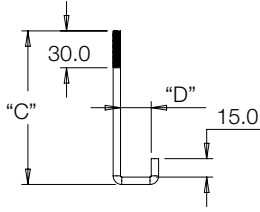
ORDERING EXAMPLE SHOWN: 3/50 Cable Ladder Straight Reducer Flat Cover 150 – 300 mm Wide Light Duty Galvabond c/w attachment hooks. Painted finish to specification colour.

E.&O.E.

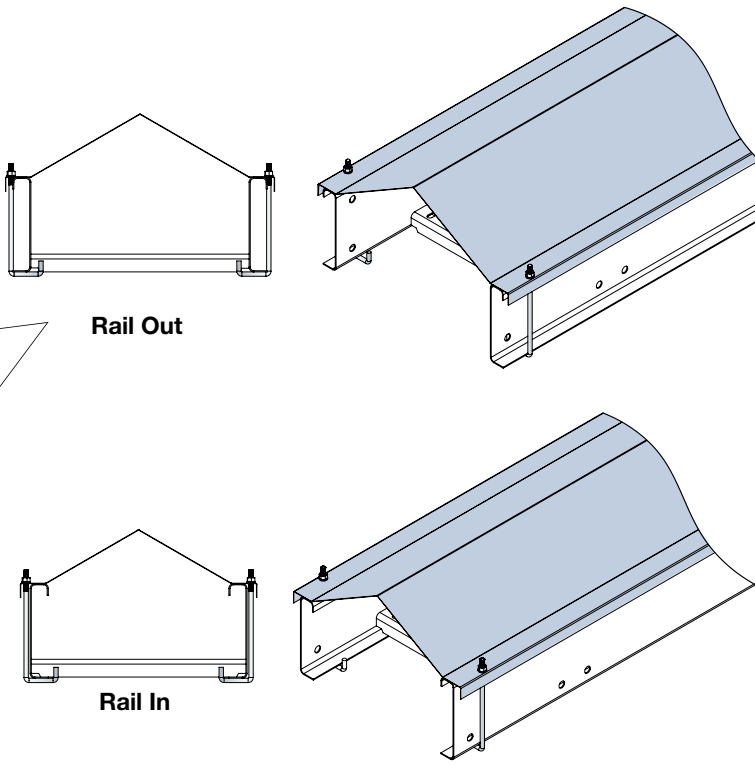
# Cable Ladder Peaked Covers

## Peaked Cover Hook Bolt Fixing

**Hook Bolt Details**  
Material Stainless Steel C/W  
Nylock Nut and Washer



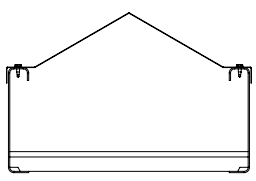
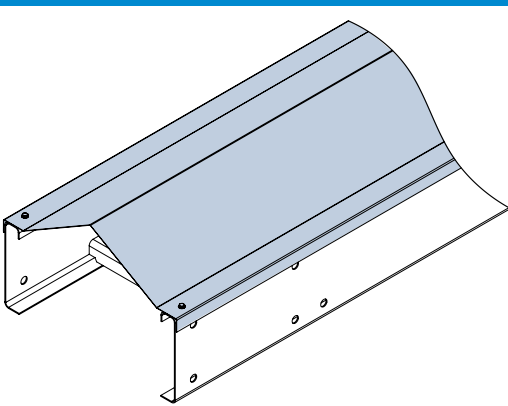
Code	LADDER	DIM "C"	DIM "D"
3CHB	3/50	125	25
4CHB	4/70	155	35
5CHB	5/112	170	35



**Rail Out**

**Rail In**

## Peaked Cover Snug Fit Fixing

**Rail In**

Optional snug fit with self tapping screws

HDG cover standards

1. WA supplied in 1.6 mm HDG (code HH)
2. Eastern States up to 1.2 mm HDG (code H)

Peak cover lengths can be supplied with ventilation louvres to order.

### When Ordering

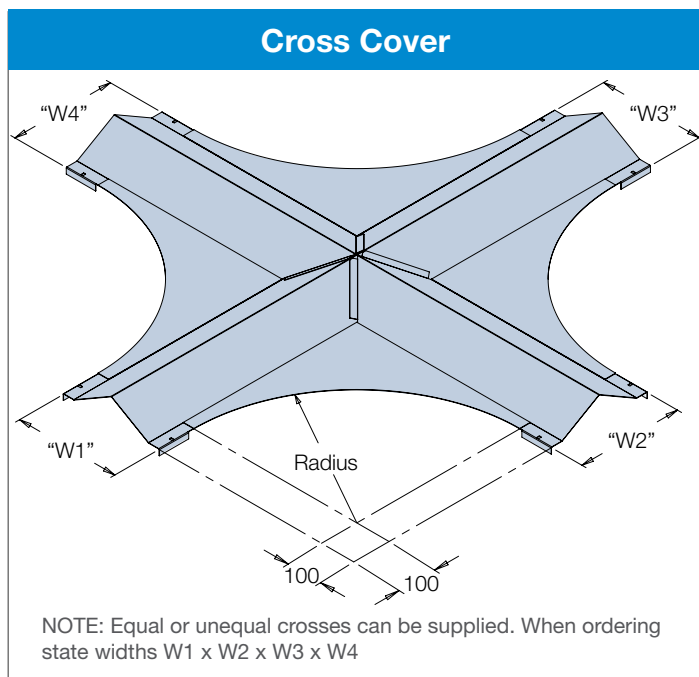
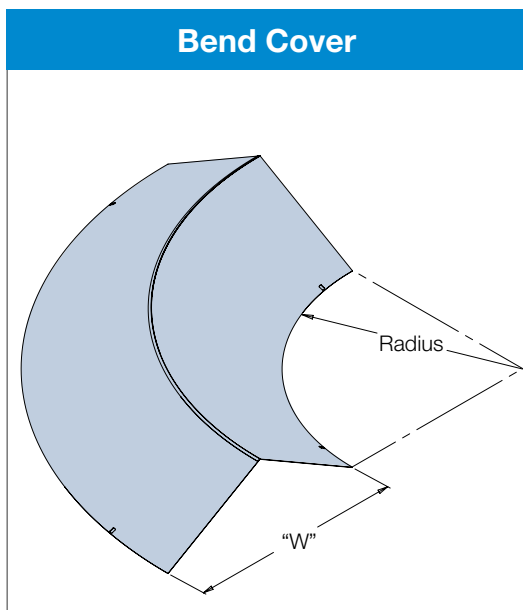
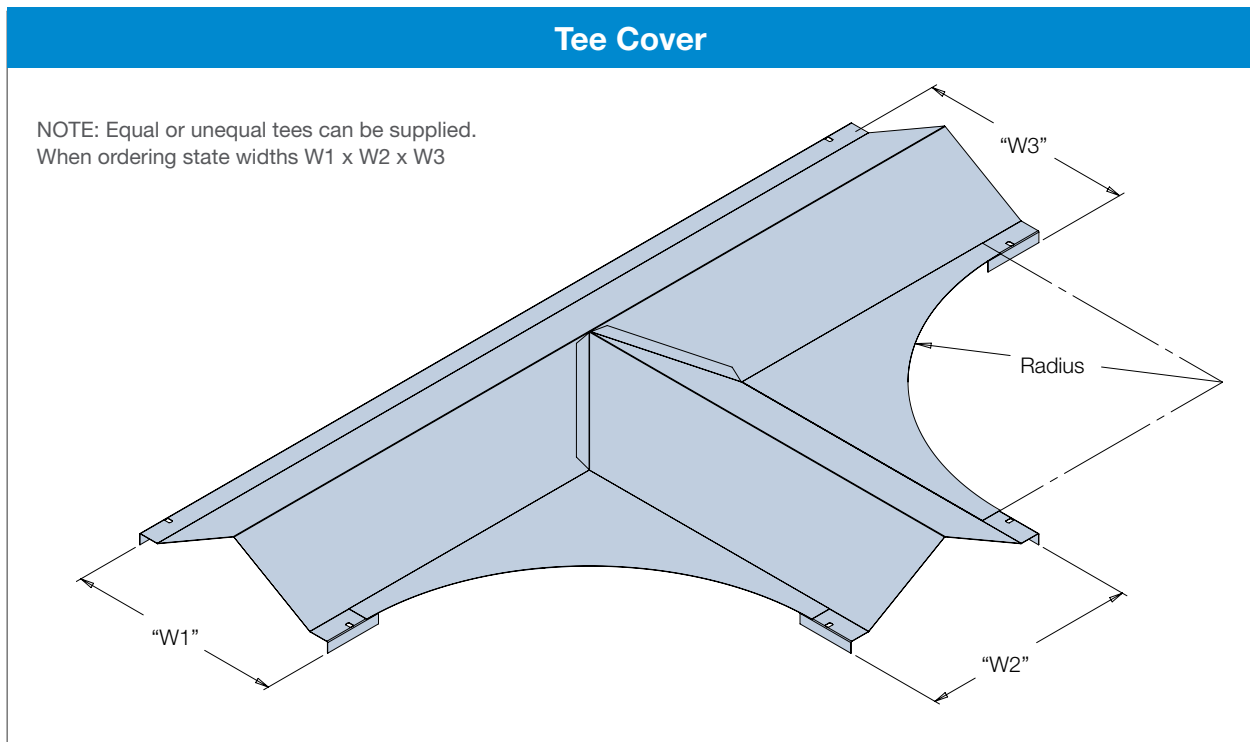
Range	Type	Size	Thickness	Std. Finish	Fastenings	Rail Direction	Fit	Finish
<b>3</b>	<b>PC</b>	<b>15</b>	<b>L</b>	<b>G</b>	<b>K</b>	<b>RI or RO</b>	<b>SF</b>	<b>PC-COL</b>
2 = 2/30	PC = Peak Cover	15 = 150 mm	L = 0.6 mm thk.	G = Galvabond	K = includes all required attachment hooks	RI = Rail in RO = Rail Out (see note)	SF = Snug Fit (to order) Note: No hooks required	PC-COL = Paint Painted finish to Kounis standard colour range
3 = 3/50	PCV = Peak Cover with louvre vents	30 = 300 mm	M = 1.2 mm thk.	H = Hot Dip Galv S = 316				
4 = 4/70		45 = 450 mm	H = 1.6 mm thk.	Stainless Steel				
5 = 5/112		60 = 600 mm 75 = 750 mm 90 = 900 mm		A = Aluminium				

NOTE: Rail In Ladder (RI) is a Kounis standard and will not show in a supply code. All Rail Out ladder will have RO suffix show in all supply codes.

ORDERING EXAMPLE SHOWN: 3/50 Cable Ladder Peak Cover 150 mm Wide Light Duty Galvabond c/w attachment hooks. Painted finish to specification colour.

E.&O.E.

# Cable Ladder Peak Cover Fittings



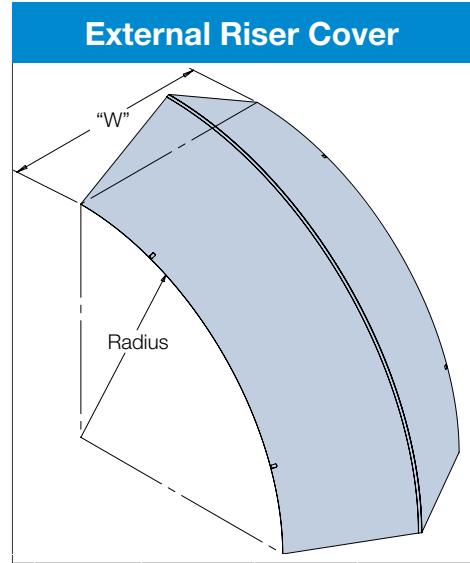
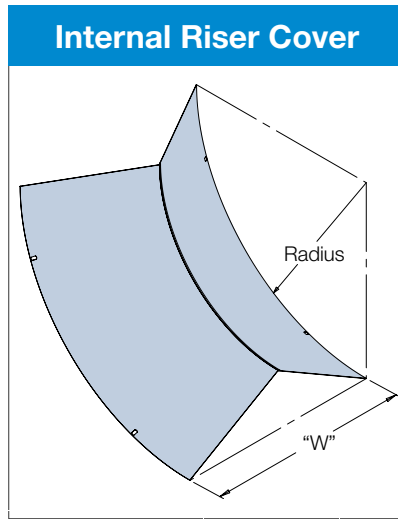
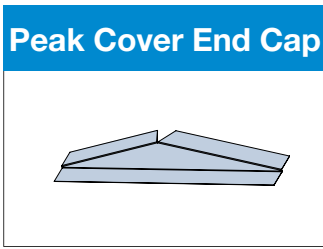
## When Ordering

Range	Type	Fitting	Size	Thickness	Std.Finish	Fastenings	Rail Direction	Radius	Fit	Finish
<b>3</b>	<b>PC</b>	<b>T</b>	<b>15</b>	<b>L</b>	<b>G</b>	<b>K</b>	<b>RO</b>	<b>3</b>	<b>SF</b>	<b>PC-COL</b>
2 = 2/30 3 = 3/50 4 = 4/70 5 = 5/112	PC = Peak Cover	T = Tee B = Bend C = Cross	15 = 150 mm 30 = 300 mm 45 = 450 mm 60 = 600 mm 75 = 750 mm 90 = 900 mm	L = 0.6mm thk. M = 1.2mm thk. H = 1.5mm thk	G = Galvabond H = Hot Dip Galv S = 316 Stainless Steel	K = Includes all required attachment hooks	RI = Rail In RO = Rail Out NB: Bends Suit both rail types so leave clear	3 = 300 mm 4 = 450 mm 6 = 600 mm 9 = 900 mm	SF = Snug Fit (to order) NOTE: No hooks required	PC-COL = Paint Painted finish to Kounis standard colour range
NOTE: Rail In Ladder (RI) is a Kounis standard and will not show in a supply code. All Rail Out ladder will have a RO suffix shown in all supply codes.					ORDERING EXAMPLE SHOWN: 3/50 Cable Ladder Tee Peak Cover 150 mm Wide Light Duty Galvabond 300mm rad c/w attachment hooks. Painted Finish to specification colour.					

E.&O.E.

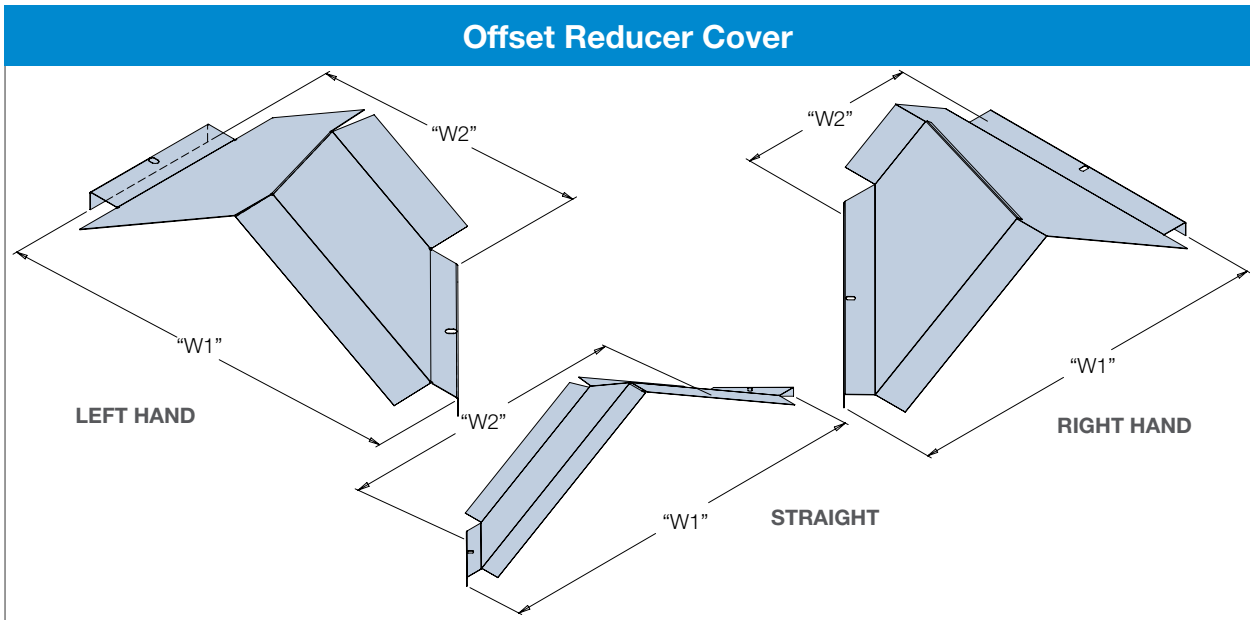


# Cable Ladder Peak Cover Fittings



## When Ordering

Range	Type	Fitting	Size	Thickness	Std.Finish	Fastenings	Rail Direction	Radius	Fit	Finish
<b>3</b>	<b>PC</b>	<b>RX</b>	<b>15</b>	<b>L</b>	<b>G</b>	<b>K</b>		<b>3</b>	<b>SF</b>	<b>PC-COL</b>
2= 2/30 3= 3/50 4= 4/70 5= 5/112	PC= Peak Cover	RX= External Riser RI= Internal Riser E= End Cap See NOTE 2	15= 150 mm 30= 300 mm 45= 450 mm 60= 600 mm 75= 750 mm 90= 900 mm	L= 0.6 mm thk. M= 1.2 mm thk. H= 1.5 mm thk.	G= Galvabond H= Hot Dip Galv S= 316 Stainless steel A= Aluminium	K= Includes all required attachment hooks	RI= Rail In RO= Rail out See NOTE 1	3= 300 mm 4= 450 mm 6= 600 mm 9= 900 mm	SF= Snug Fit (to order) NOTE: No hooks required	PC-COL= paint Painted finish to Kounis standard colour range
NOTE 1: Riser Covers Fit both Rail In and Rail Out Ladder systems NOTE 2: Type 4 & 5 RX External Riser Covers are identical except hooks i.e. 4-5 Range.					ORDERING EXAMPLE SHOWN: 3/50 Cable Ladder External Riser Peak Cover 150 mm wide Light Duty Galvabond 300 mm rad c/w attachment hooks. Painted finish to specification colour.					



## When Ordering

Range	Type	Fitting	Size	Thickness	Std.Finish	Fastenings	Rail Direction	Fit	Finish
<b>3</b>	<b>PC</b>	<b>SR</b>	<b>3015</b>	<b>L</b>	<b>G</b>	<b>K</b>		<b>SF</b>	<b>PC-COL</b>
2 = 2/30 3 = 3/50 4 = 4/70 5 = 5/112	PC = Peak Cover	S = Straight Reducer LR = Left Reducer RR = Right Reducer	15 = 150 mm 30 = 300 mm 45 = 450 mm 60 = 600 mm 75 = 750 mm 90 = 900 mm	L = 0.6 mm thk. M = 1.2 mm thk. H = 1.6 mm thk.	G = Galvabond H = Hot Dip Galv S = 316 Stainless Steel A = Aluminium	K = Includes all required attachment hooks	RI = Rail In RO = Rail Out (see note)	SF = Snug Fit (to order) NOTE: No hooks required	PC-COL = Paint Painted Finish to Kounis standard colour range
NOTE: Reducer Covers fit both Rail-In and Rail-Out ladder systems.					ORDERING EXAMPLE SHOWN: 3/50 Cable Ladder Straight Reducer Peak Cover 300 to 150 mm wide Light Duty Galvabond c/w attachment hooks. Painted finish to specification colour.				

E.&O.E.

CABLE LADDER COVERS  
Peak Covers  
External/Internal Risers,  
Offset & Straight Reducers